

RELY ON EXCELLENCE

M481C(L) / M461CL – The OEM agitator seal series for top entry drives

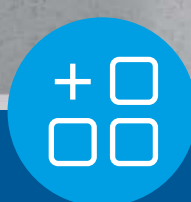
Trimmed for performance, for use in all typical standard applications.



Reliable



ATEX zone 0



Standardized

Perfect functionality. Uncompromising quality. Fair pricing.

Especially when competition gets intense, it is more important than ever to make use of all available options. With the liquid-lubricated mechanical seals M481C(L) for steel vessels and M461CL for glass lined vessels, EagleBurgmann offers manufacturers of agitators, mixers, reactors, and other special machines an interesting alternative to the proven M481K and M461C seal series.

The compact M481C(L) and M461CL were specially designed for typical applications within the scope of DIN standards and offer sought-after EagleBurgmann quality with short delivery times.

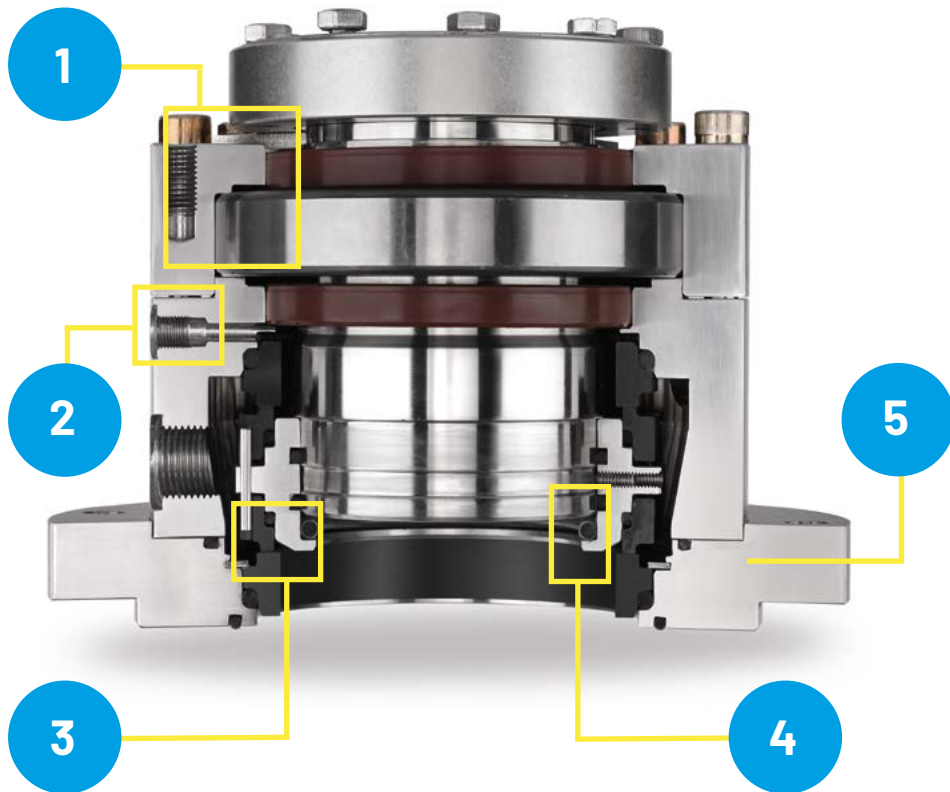
The seal series are designed for top entry drives in steel vessels and for operating conditions up to 10 bar and 3 m/s sliding velocity. They are suited for applications in the following areas:

- Petrochemical and chemical industries
- Refinery technology
- Pharmaceutical production
- Food and beverage industries

Both the M481C(L) and M461CL are mechanical seals that speak for themselves with quality and performance you can rely on and a price that is just right.

Modular design - optionally available with integrated floating bearing (variant M481CL).

In all versions, the leakage can be drained on the atmospheric side. This prevents contamination of the seal and the machine.



Variants for connection dimensions not covered by DIN are also available.

Designed for self-closing on the product side: The seals remain closed even in the event of pressure fluctuations or reversals. They can be pressurized as a buffered double seal or operated with unpressurized quench fluid.

The shaft sleeve has no contact with the product. In the case of aggressive media, a cost-effective metal-free variant is thus possible, since only the driver and not the shaft has to be made of special materials.

Operating range

- Shaft diameter:
 $d_1 = 40 \dots 125 \text{ mm} (1.57 \dots 4.92 \text{ ")}$
- Pressure:
 $p_1 = \text{Vacuum} \dots 10 \text{ bar} (\dots 145 \text{ PSI})$
 $p_3 = \text{max. } 12 \text{ bar} (174 \text{ PSI})$
- Temperature:
 $t_1 = -40 \text{ }^\circ\text{C} \dots +200 \text{ }^\circ\text{C} (-40 \text{ }^\circ\text{F} \dots +392 \text{ }^\circ\text{F})$
- Sliding velocity:
 $v_g = 0 \dots 3 \text{ m/s} (0 \dots 9.8 \text{ ft/s})$

It should be noted that the extreme values of the specified operating limits influence one another, so they cannot necessarily be applied at the same time. We would be happy to assist with applications outside the above ranges upon request.

Materials

- Seal faces: Carbon graphite or silicon carbide
- Seats: Silicon carbide
- Secondary seals and metallic parts:
Based on the application and customer request

Standards and approvals

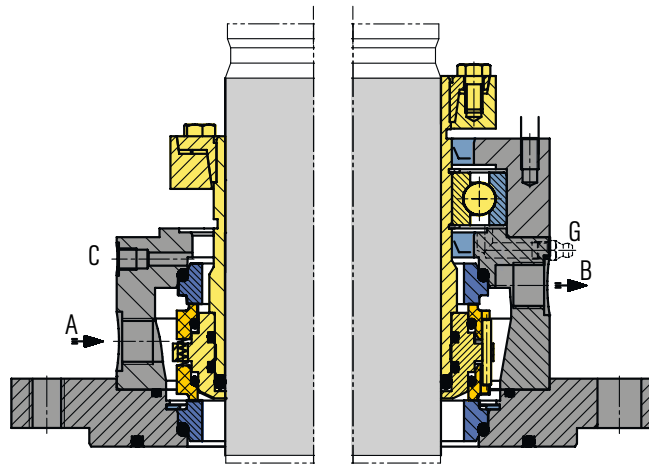
- FDA
- ATEX zone 0

Seal installation spaces

Suitable for standardized seal installation spaces according to

- DIN 28138 (mechanical seals for agitator shafts)
- DIN 28136 T2 (for steel vessels)
DIN 28136 T3 (for glass lined vessels)
DIN 28141 (mounting flange connection for steel vessels)
DIN 28137 T3 (mounting flange connection for glass lined vessels)
- DIN 28154 (shaft end for steel vessels)
DIN 28159 (shaft end for glass lined vessels)

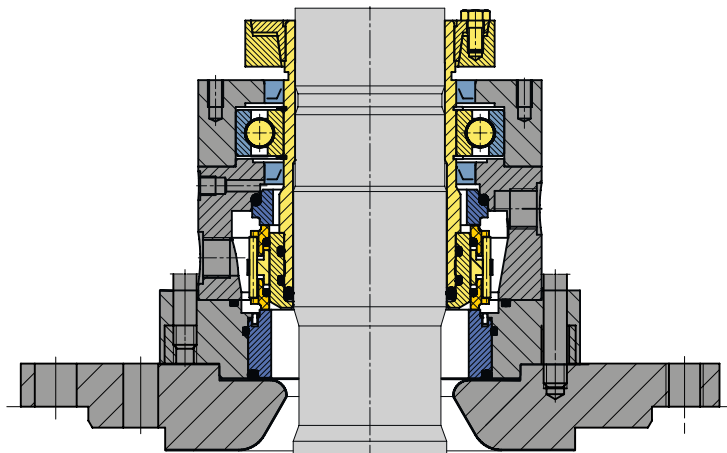
Impressive in every respect



M481C (for steel vessels)

M481CL (for steel vessels)

The compact design of the M481 resp. M481CL makes it suitable for use on unstepped as well as stepped shafts.



M461CL (for glass lined vessels)



As a complete solution with supply system

If desired, we can deliver the M481C(L) and M461CL as part of a technically and economically optimized complete system, all from a single source. We can provide both closed and open loop systems (manual or automatic). We look forward to hearing from you.

EagleBurgmann – at the leading edge of industrial sealing technology

Our products are used wherever safety and reliability count: in the industries of oil & gas, refineries, petrochemicals, chemicals, pharmaceuticals, food, power, water and many more. About 6,000 employees contribute their ideas, solutions and dedication every day to ensure that customers around the globe can rely on our seals. With our modular TotalSealCare Service, we emphasize our strong customer orientation and offer custom-tailored services for every need. [Rely on excellence.](#)

Wherever you need us

Europe • Austria • Belarus • Belgium • Bosnia-Herzegovina • Bulgaria • Cyprus • Czech Republic • Denmark • Estonia • Finland • France • Germany • Great Britain • Greece • Hungary • Ireland • Italy • Latvia • Lithuania • Netherlands • Norway • Poland • Portugal • Romania • Russia • Serbia • Slovak Republic • Slovenia • Spain • Sweden • Switzerland • Turkey • **Middle East** • Bahrain • Israel • Jordan • Kuwait • Lebanon • Oman • Qatar • Saudi Arabia • United Arab Emirates • Yemen • **Africa** • Angola • Botswana • Cameroon • Egypt • Gabon • Ghana • Kenya • Madagascar • Malawi • Mauritius • Mozambique • Namibia • Nigeria • South Africa • Sudan • Tunisia • Uganda • Zambia • Zimbabwe • **Americas** • Argentina • Brazil • Canada • Chile • Colombia • Ecuador • Mexico • Paraguay • Uruguay • United States • Venezuela • **Asia-Pacific** • Australia • Azerbaijan • Bangladesh • China (mainland) • India • Indonesia • Japan • Kazakhstan • Korea • Malaysia • New Zealand • Pakistan • Philippines • Singapore • Sri Lanka • Taiwan • Thailand • Vietnam • www.eagleburgmann.com/en/international

eagleburgmann.com
info@eagleburgmann.com